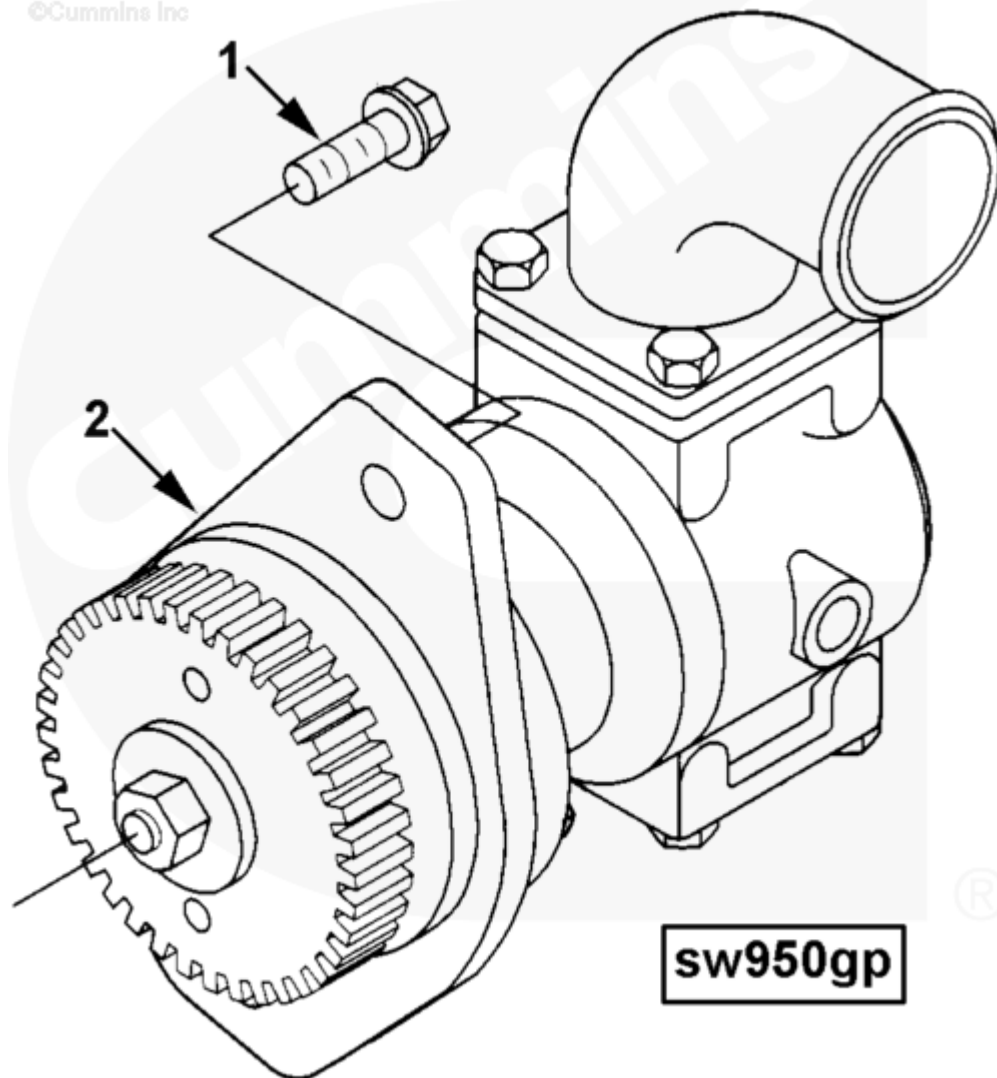




Parts Catalog - Option Detail

Electronic Parts Catalog - Option Detail				
Option	Group	Graphic	Film Card	Date
SW9049-03	08.11	sw950gp	Z	20-FEB-06
Engines	6C8.3, C GAS PLUS CM556, G8.3, G8.3 CM558, GTA8.3 CM558, ISC CM2150, ISC CM554, ISC CM850, ISC8.3 CM2250, ISC8.3 G CM2180 C101, ISL CM2150, ISL CM554, ISL CM850, ISL G CM2180, ISL8.9 CM2150 L110, ISL8.9 CM2880 L112, ISL9 CM2150 SN, ISL9 CM2250, ISL9 CM2350 L101, ISL9 CM2350 L111, ISLE4 CM850, L GAS PLUS CM556, L8.9, L8.9 L121, L8.9G CMOH2.0 L125B, L9 CM2350 L116B, L9 CM2350 L119B, L9 CM2350 L120C, L9 CM2350 L123B, L9.3 L105, L9.5 L117, L9N CM2380 L124B, QSC8.3 CM2250, QSC8.3 CM2880 C102, QSC8.3 CM554, QSC8.3 CM850(CM2850), QSL9 CM2250, QSL9 CM2250 L115, QSL9 CM2350 L102, QSL9 CM2350 L107, QSL9 CM2350 L118, QSL9 CM2350 L122, QSL9 CM554, QSL9 CM850(CM2850), QSL9 G CM558, QSL9 M CM2250 L106, QSL9.3 CM2880 L113			



SMALL | MEDIUM | LARGE

Cart	Ref No	Part Number	Part Description	Required	Remarks
View My Cart					

		SW9049-03	Raw Water Pump		MR - PUMP, RAW WATER...(More)
					Engine Family: C Series
					Engine Cylinders: 6
					Manufacturing/Model:
					Sherwood
					Flow Rate 75 GPM at 2600 RPM
					(15 PSI Back Pressure)
					Drive Method: Accessory
					Drive Gear
					Outlet Flange: 101-2 (SAE B)
					Inlet OD (mm): 63.5
					Outlet OD (mm): 50.8
					Cooler Connection Tube ID
					(in.): 50.8
					Unique Characteristic: 45
					Degree Inlet
<input type="checkbox"/>	1	3920447	Hexagon Flange Head Cap Screw	2	M12 X 1.75 X 40.
<input type="checkbox"/>	2	3967246	Sea Water Pump	1	
<input type="checkbox"/>		3972366	Raw Water Pump-Minor Kit	A/R	
<input type="checkbox"/>		3972367	Raw Water Pump-Intermediate Kit	A/R	
<input type="checkbox"/>		3972368	Raw Water Pump-Major Kit	A/R	